

Customer:

Reference:

Code	48TOPF11A1
Family	TOP FLOOR
Group	Clear water drainage
Typology	Submersible

Uses Household

Application limits

Liquid Type	Clear Water
Minimum liquid temperature	0 °C
Maximum liquid temperature	40 °C
Maximum Chlorine Content	0 ppm
Maximum Sand Content	0 ppm
Manometric suction lift	0 m
Maximum immersion depth	3 m
Maximum Ambient Temperature	0 °C
Minimum Ambient Temperature	0 °C
Maximum Working Pressure	0 bar

Construction and safety standards

The pumps are complete with a 5 m long power cable.

AVAILABLE ON REQUEST:

TOP 1-FLOOR/LA, TOP 2-FLOOR/LA pumps intended for use with aggressive liquids

- EN 60335-1, IEC 60335-1
- EN 60034-1, IEC 60034-1

Connections

Type of connection	Gas threaded
Size of suction connection	
Size of delivery connection	1¼"

Duty Point

Flow rate (actual)	0,000 l/m
Head (actual)	0,000 m

Input Data

Rated flow rate (requested)	0,000 l/m
Rated head (requested)	0,000 m
System geodetic head	0,000 m
System friction losses	0,000 m
NPSH Available	0,000 m
Liquid	Water
Temperature	20 °C
Density	998,1 kg/m ³
Kinematic Viscosity	1,00 mm ² /s
Vapour Pressure	2 318 Pa

Pump nameplate data

Flow rate	20 - 120 l/min
Head	6 - 2 m
Maximum head	6,5 m
Minimum head	2 m
Minimum Efficiency Index	-

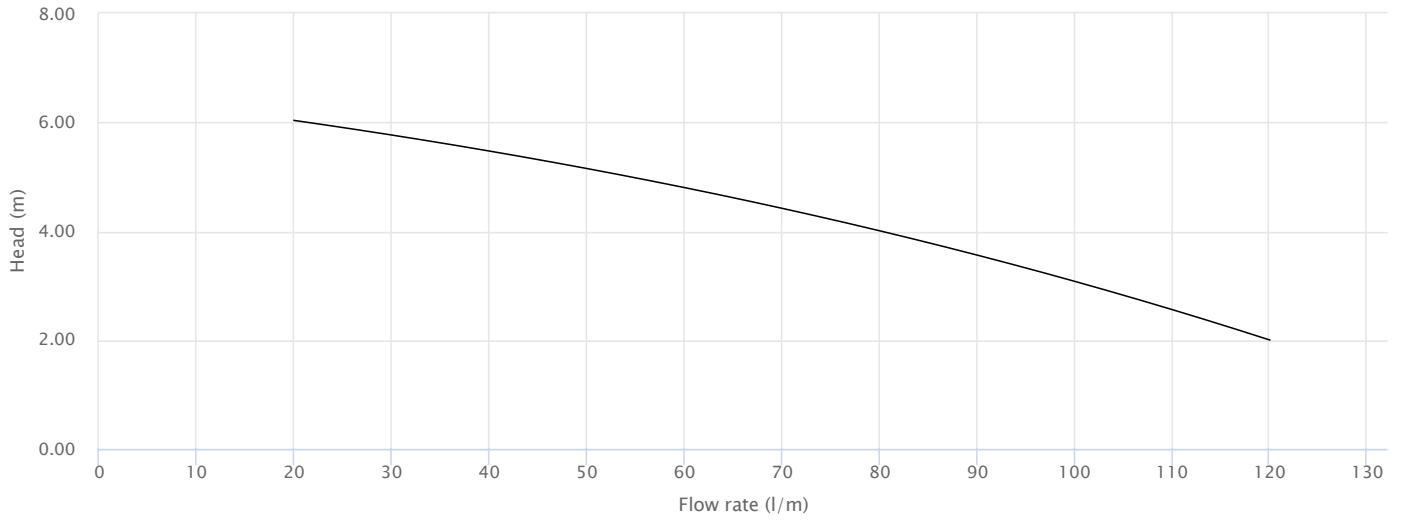
Other Pump Data

Max Sound Pressure Level (1 m)	0 dBA
Horizontal installation	
Solids free passage	2 mm

Motor nameplate data

Voltage	220-240 V
Phases	1
Frequency	50 Hz
Rotation Speed	2900 rpm
Rated output power	0,25 kW
Rated Current	1,5 A
Input power P1	0,32 kW
Efficiency grade	Undefined
Capacitor	10 µF
Capacitor Voltage	450 V
Insulation Class	F
Enclosure class IP	X8

Performance



Construction

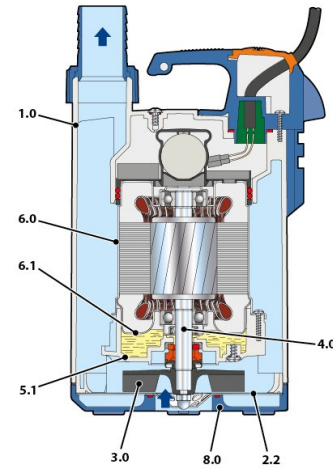
Bearings

Motor bearing - pump side	6201 ZZ
Motor bearing - opposite side	6201 ZZ

Shaft Seal

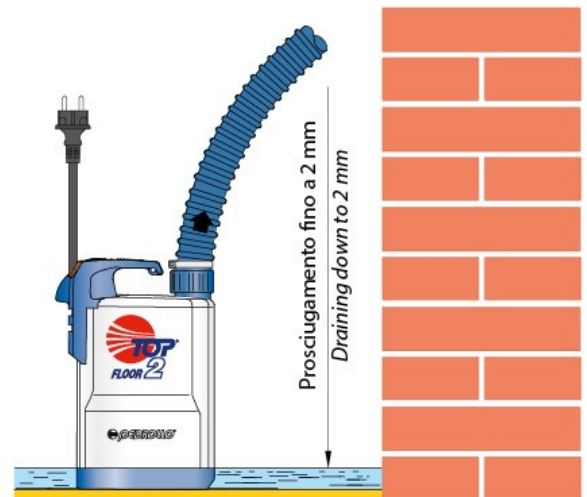
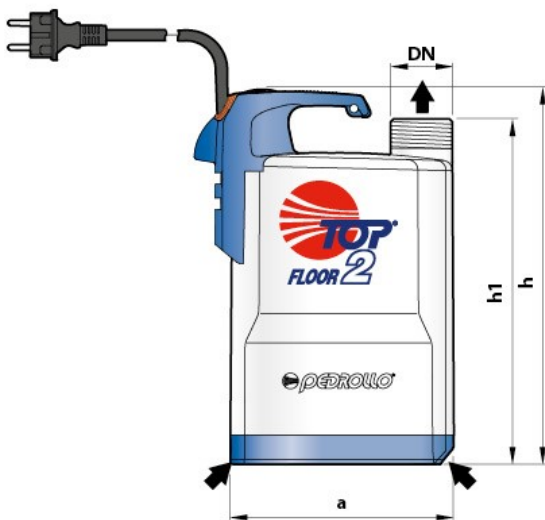
Seal Type	Double: Mechanical seal and Lip seal in an oil chamber
-----------	--

Motor Side Model	Lip seal
Diameter MS	12
Elastomer MS	NBR
Pump Side Model	STA-12R
Diameter PS	12
Stationary Ring PS	Ceramic
Rotating Ring PS	Graphite
Elastomer PS	NBR



Materials

1.0 - Pump casing	Reinforced technopolymer
2.2 - Suction Cover	Stainless steel EN 1.4301 (AISI 304)
3.0 - Impeller	Reinforced technopolymer
4.0 - Pump Shaft	Stainless steel EN 1.4057 (AISI 431)
5.1 - Diffuser	Reinforced technopolymer
6.0 - Motor casing	Stainless steel EN 1.4301 (AISI 304)
6.1 - Motor Cover	Stainless steel EN 1.4301 (AISI 304)
8.0 - Suction Strainer/Filter	Reinforced technopolymer



Dimensions mm

DN1	DN2	a	d	h	h1
0"	1¼"	152	2	257	237

Kg
4,7